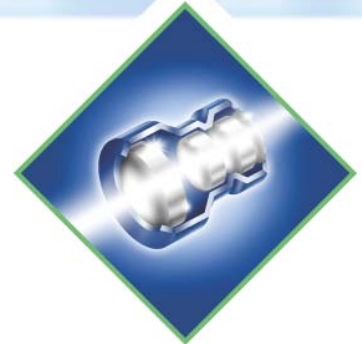


OPTICS & LIGHTS DATASHEET



**OBJECTIVES AND OPTICAL
SYSTEMS FOR IMAGING
SOLUTIONS**

PRODUCTS

- *C-mount objectives*
- *M12 objectives*
- *Taylor-made objectives*

APPLICATIONS

- *Machine vision*
- *Laser scanner*
- *Mobile phones*
- *Camera*
- *Medical instrument*
- *Optical instrument*

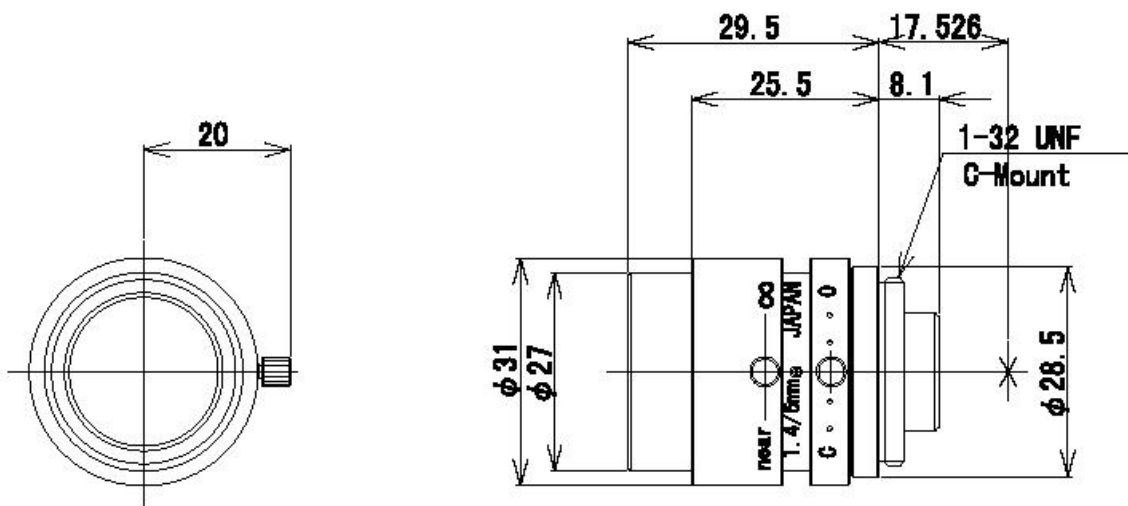
Our Standard Objectives Series includes high quality and reliable objectives available in both C-mount and M12 formats. Thanks to the flexibility of our manufacturing department we cover the largest number of application possible, yours included.



Standard Objectives

C-mount series

ORDER NUMBER: 95A901080



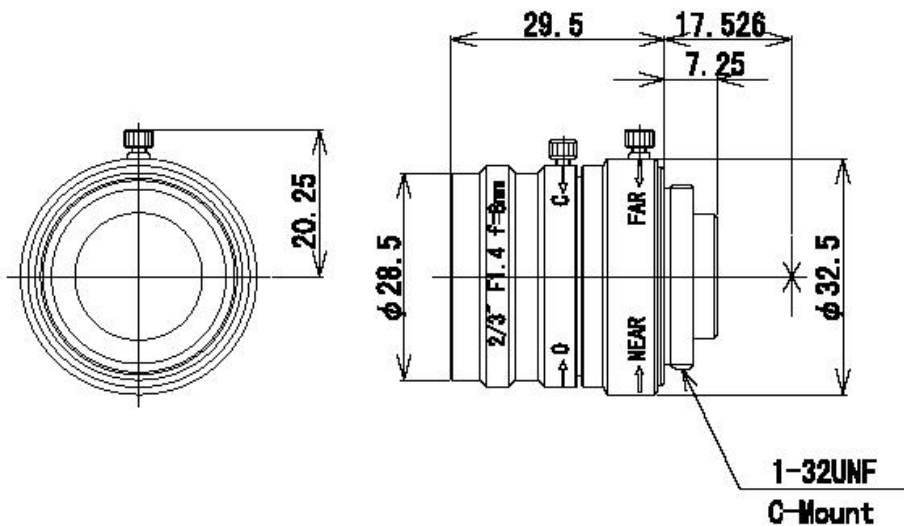
Focal Length	6mm ±5%	
Aperture	F 1:1.4	
Format Size max.	1/2"	
Resolution	Centre	100 lines / mm
	Corner	40 lines /mm
Distortion	-1%	
Mount	C-Mount	
Operating Temperature	-10°C ~ +45°C	
Storage Temperature	-40°C ~ +60°C	
Weight	≈60g	



Standard Objectives

C-mount series

ORDER NUMBER: 95A901080



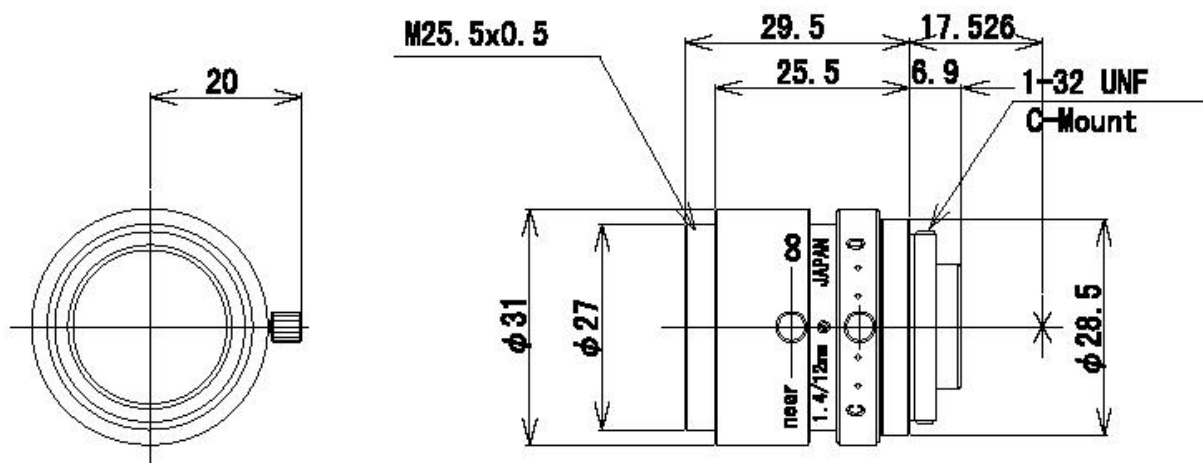
Focal Length	8mm ±5%	
Aperture	F 1:1.4	
Format Size	1/2"	
Image Size	4.8x6.4mm	3.6x4.8mm
Resolution	Centre	100 lines / mm
	Corner	40 lines /mm
Distortion	-1%	
Mount	C-Mount	
Operating Temperature	-10°C ~ +45°C	
Storage Temperature	-40°C ~ +60°C	
Weight	≈54g	



Standard Objectives

C-mount series

ORDER NUMBER: 95A901100



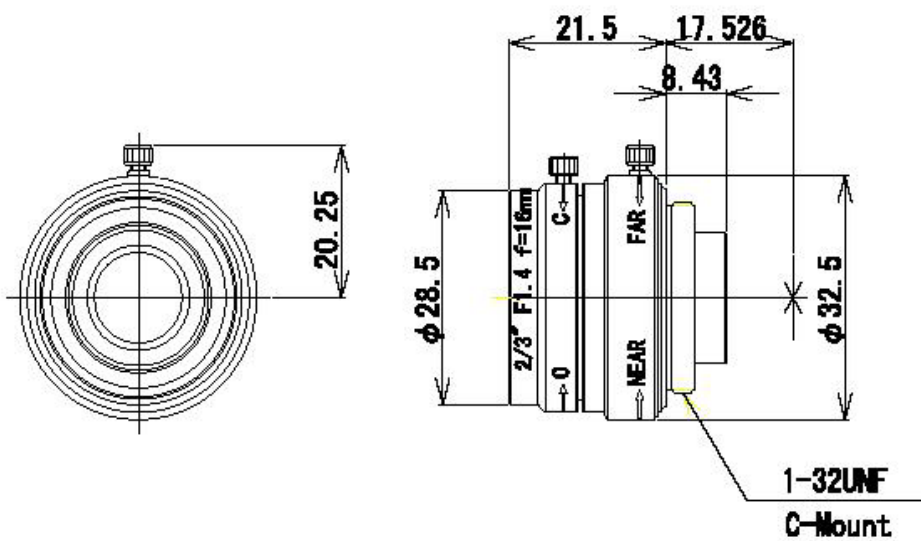
Focal Length	12mm ±5%	
Aperture	F 1:1.4	
Format Size	1/2"	
Image Size	4.8x6.4mm	3.6x4.8mm
Resolution	Centre	100 lines / mm
	Corner	40 lines /mm
Distortion	-0.8%	
Mount	C-Mount	
Operating Temperature	-10°C ~ +45°C	
Storage Temperature	-40°C ~ +60°C	
Weight	≈70g	



Standard Objectives

C-mount series

ORDER NUMBER: 95A901110



Focal Length	16mm ±5%	
Aperture	F 1:1.4	
Format Size	1/2"	1/3"
Image Size	4.8x6.4mm	3.6x4.8mm
Resolution	Centre	100 lines / mm
	Corner	40 lines /mm
Distortion	-1%	
Mount	C-Mount	
Operating Temperature	-10°C ~ +45°C	
Storage Temperature	-40°C ~ +60°C	
Weight	≈40g	



Standard Objectives

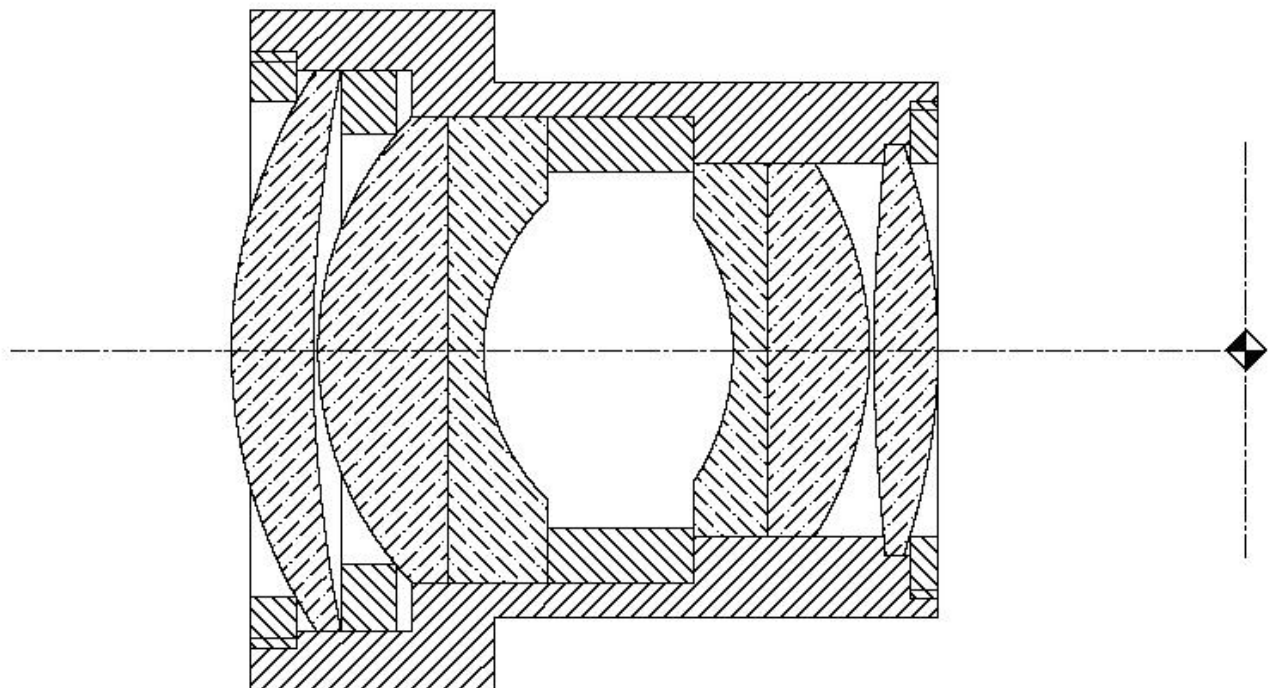
M12 series

Description	LENS 9mm	LENS 11,1mm	LENS 5,9mm	LENS 7mm	LENS 7,8mm	LENS 15mm	LENS 20,5mm
Mount	M12x0,5	M12x0,5	M12x0,5	M12x0,5	M12x0,5	M12x0,5	M12x0,5
Focal length	9	11,1	5,9	7	7,8	15	20,5
F/N	2,9	3,5	4,5	3,1	3,1	4,5	4
Max format size	1/2"	1/2"	1/3"	1/3"	1/2"	1/3"	1/2"
Resolution Centre/Corner	100/80	80/60	100/60	100/60	100/60	100/50	100/50
Distortion	<±2%	<±2%	<±2%	<±2%	<±2%	<±2%	<±2%

Description	Order number
LENS 9MM M12X0,5 OPTIC F/N 2,9 1/2"	950201000
LENS 11,1MM M12X0,5 OPTIC F/N 3,5 1/2"	950201010
LENS 5,9MM M12X0,5 OPTIC F/N 4,5 1/3"	950201020
LENS 7MM M12X0,5 OPTIC F/N 3,1 1/3"	950201030
LENS 7,8MM M12X0,5 OPTIC F/N 3,1 1/2"	950201040
Lens 15MM M12x0,5 OPTIC F/N 4,5 1/3"	950201050
Lens 20,5MM M12x0,5 OPTIC F/N 4,0 1/2"	950201060



Tailor made systems



Our mission is to provide tailor-made products on customer request. Our engineers can provide either the optical design and the mechanical design, as well as the prototypes service can manufacture your objective in few weeks.

Just ask for an evaluation filling out the form **Optical System on Demand** at www.datasensoroptics.com

Datasensor Optics endeavours to continuously improve and renew its products; for this reason the technical data and contents of this catalogue may undergo variations without prior notice. For correct installation and use Datasensor Optics can guarantee only the data indicated in the instruction manual supplied with the products.

DATASENSOR SpA · Via Lavino 265 · 40050 Monte San Pietro · Bologna · Italy
Tel. +39 051 6765611 · Fax +39 051 6759324 · e-mail: info@datasensoroptics.it
www.datasensoroptics.it